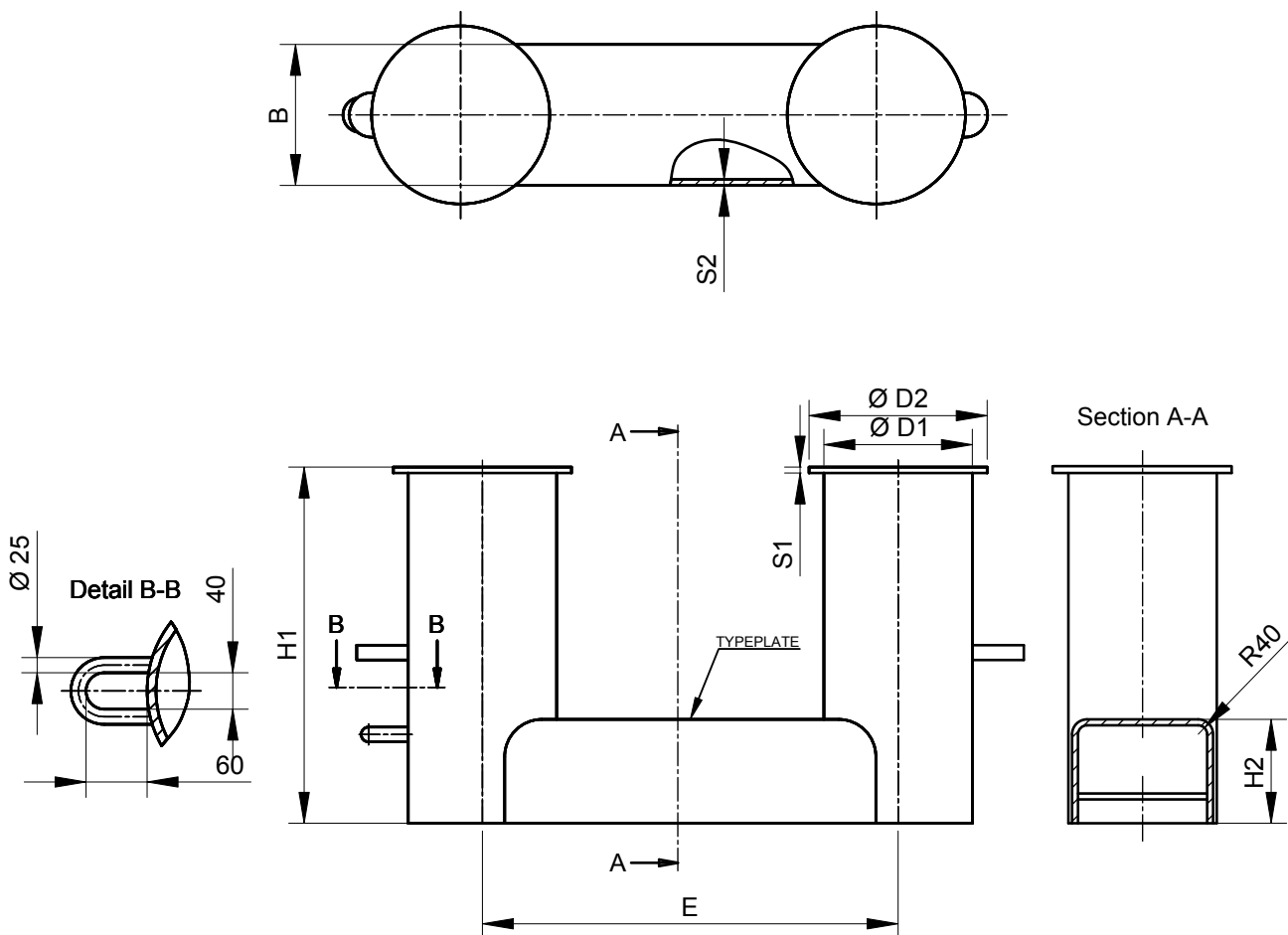

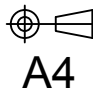


This drawing and design is protected by copyright and the information is confidential. It is also protected and registered under Dutch laws through the Dutch government department for Taxes. The drawing and/or models may not be copied, reproduced, duplicated or disclosed to others, in whole or in part without prior written consent of C-Nautical B.V./the Netherlands.



TYPE	SWL (kN)	TUBE Ø D1	B	D2	E	H1	H2	S2	WEIGHT kg
1	10	139,7x6,3	130	160	430	370	105	5	Ca.20
2	20	219,1x8	180	240	570	475	115	6	Ca.50
3	30	273,0x10	250	300	700	570	135	8	Ca.100
5	50	323,9x10	300	355	880	670	150	8	Ca.145
8	80	355,6x14,2	330	390	1050	780	175	10	Ca.260
12	120	457,0x16	420	490	1200	860	195	16	Ca.440
20	200	508,0x17,5	470	545	1350	970	230	16	Ca.575
32	320	559,0x20	530	600	1400	1000	270	16	Ca.800

Name		Tolerance : DIN-81915	
Drawn : HDG	Date : 14-12-2009	Checked : JDR	Date : 14-12-2009
REV	DATE	 C-NAUTICAL B.V. Orionweg 7 9641MN Veendam The Netherlands T : +31 (0) 598 361 664 F : +31 (0) 84 83 68 968 W : www.c-nautical.com e : info@c-nautical.com	
		Drawing no : D-BOLLARD-DIN82607	
		 A4 Size in mm Page : 1 / 1	